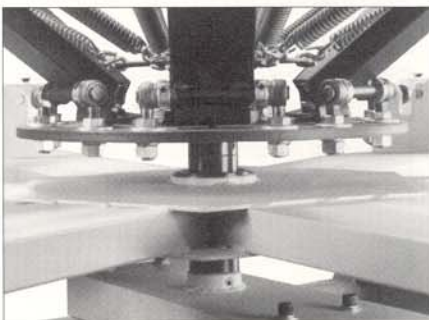


Rototex II Manual Textile Printer

American M&M's *Rototex II Manual Textile Printer* offers the perfect combination of highly versatile production and easy operator handling.

Built with a low profile and height adjustable screen holder arms, the Rototex II can reduce operator fatigue and valuable production time. The high-grade ball bearing construction provides smooth carousel action and indexing for extended durability.

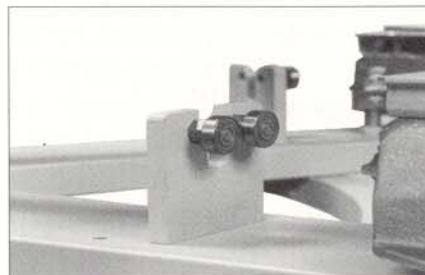


Rototex's optional multi-directional X/Y registration system enables the operator to perform quick color-to-color setup. This heavy-duty system will not wear or vibrate out of register even during extended production runs. Off-contact control allows you to directly manage ink deposit for excellent fine line and halftone reproduction.

Rototex can be ordered with American's original multipallet speed table, or, for even higher production speeds, try the Rototex

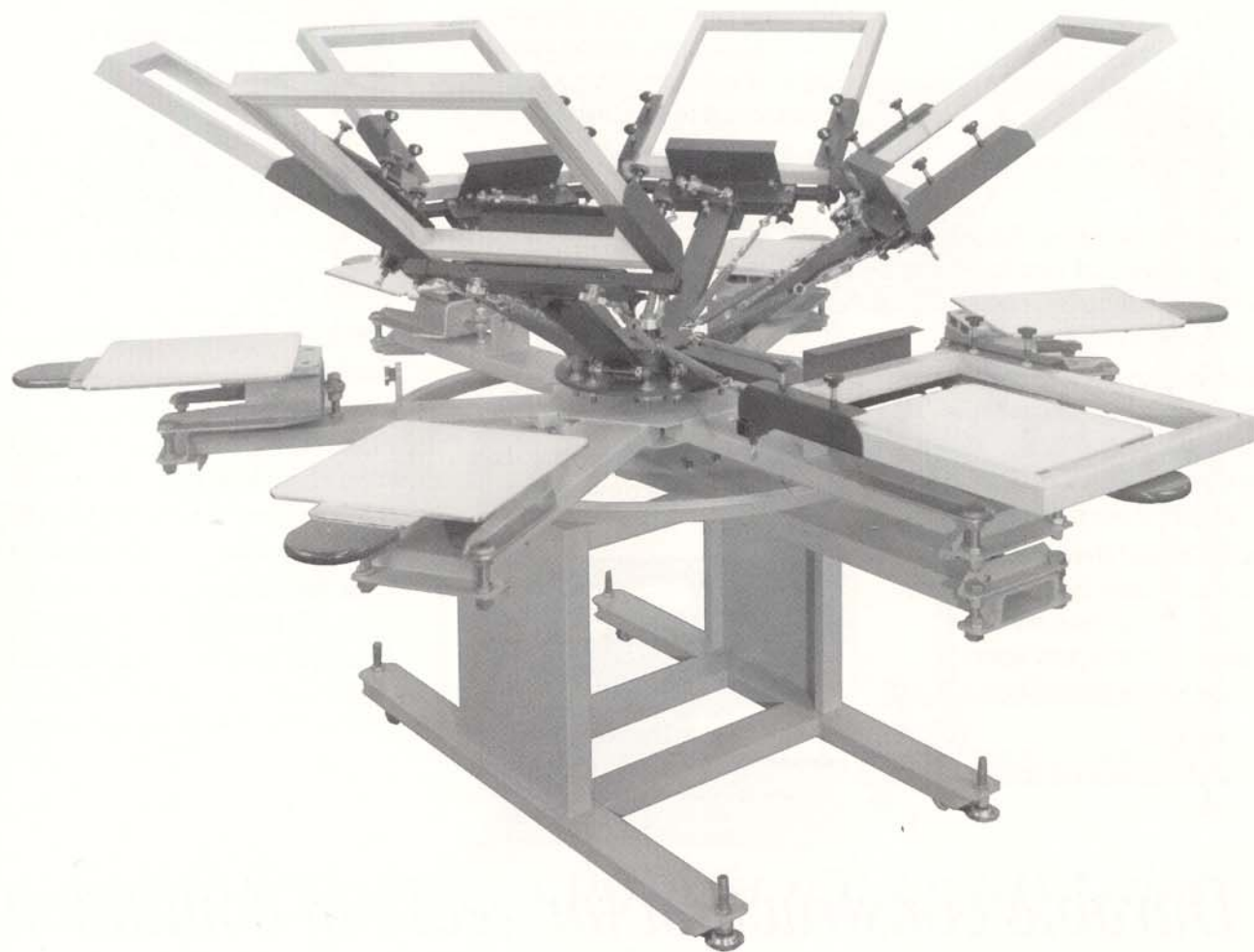
"all-heads down" synchronized speed table. Each platen on this table is preregistered at the factory to allow printing at any or all stations with $\pm .002$ " registration repeatability.

Each Rototex is available with more optional features for even greater versatility. The optional *Joystick* takes your hands off the squeegee to lessen operator fatigue and



syndrome. Plus, by maintaining even pressure along the squeegee blade, you can obtain higher quality print results. Adjustable squeegee angle adapts to various production variables.

Other options include specialty platens for sleeve and pants leg printing. A jacket hold-down attachment is also available for printing lined nylon outerwear.



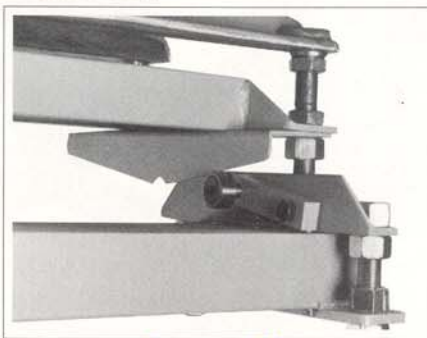


Standard features:

- **Positive Head Lock-in:** Metal keel/roller bearing design maintains exact color-to-color repeatability for each printing to ensure $\pm .002$ " registration.
- **Side Screen Clamps:** Double clamp system holds screens from the sides for maximum stability while printing. Adjustable to accommodate various frame sizes.
- **Heavy-duty Construction:** Rugged, heavy-gauge steel base furnishes absolute stability. Locking casters provide excellent mobility when necessary.
- **Aluminum Platens:** Warp-proof, rubber-covered aluminum pallets provide a durable, effective print surface. Heat resistant and easy-to-clean; can be used with all types of platen adhesives.
- **Precise Carousel Movement:** High-grade bearings ensure smooth, less fatiguing screen carousel movement. Durable components guard against excessive wear for longer life.

Optional features:

- **Multidirectional X/Y Registration and Off-Contact System:** Enables sophisticated multicolor jobs to be setup in minutes. Easy-to-read microgrids permit exact control. Incorporates off-contact peel control. Heavy-duty construction will not vibrate out of register during extended productions.
- **Joystik** (Catalog No. 43-5817-2): Equalizes pressure along the entire squeegee blade to maintain even ink deposit and repeatable print results. Adjustable squeegee angle adapts to various applications. Reduces operator fatigue for higher production and quality. Minimizes risk of carpal tunnel syndrome.
- **Synchronized Speed Table** [Catalog No. 43-5851-1 (4-station)] [Catalog No. 43-5854-5 (6-station)] [Catalog No. 43-5857-8 (4-station)]: Multiplaten rotary index table allows multiple operation from any station for increased production and versatility. Jobs can be started and completed at any station. Rototex 4-color accommodates a 4-station table; 6-color accommodates a 6-station; 8-color accommodates a 4-station table.



- **Speed Table** [Catalog No. 43-5801-6 (3-station)] [Catalog No. 43-5803-2 (4-station)]: Multiplaten rotary indexer; additional platens serve as loading and unloading stations or permit more efficient spot curing. Enables operators to reach a manual production speed of 15 dozen multicolor garments per hour.
- **Spot Cure Unit** (Catalog No. 43-4829-8): Intercolor drying unit for immediate heat setting when printing process prints or base colors on dark garments.
- **Jacket Hold-down Attachment** (Catalog No. 43-5804-0): Jacket attachment provides firm hold-down to keep jacket from shifting during multicolor printing. Special pallet for printing multi-layer goods included.
- **Sleeve Printing Platens** (Cat. No. 43-5808-1): Provide positive support of garment sleeves during printing. Custom pallets made to order. Standard 4" width.
- **Pants Printing Platen** (Cat. No. 44-5815-6): Required for printing tightly registered pant images. Fully supported. Standard 7 3/4" width
- **Additional Platen Sizes** Catalog No. 43-4533-6 Size: 10 x 16" Infant wear Catalog No. 43-5812-3 Size: 12 x 16" Children wear Catalog No. 43-5813-1 Size: 16 x 15" Standard Custom jumbo platen sizes up to 20 x 24" image available. (Optional extended screen arm required to handle 36 x 25 1/4" frame.)

Specifications

Model	4-color	6-color	8-color
Catalog No.	43-5852-9	43-5855-2	43-5858-6
Max. Image Area	16 x 15" (38 x 41 cm)		
Frame Sizes: Metal (O.D.)	21 1/2 x 25 1/2" (54 x 64 cm)		
	Wood (I.D.) 22 x 18" (56 x 46 cm)		
Weight: Indexer	350 lbs. (159 kg)	400 lbs. (182 kg)	450 lbs. (205 kg)
	Speed Table	200 lbs. (91 kg)	250 lbs. (114 kg)
Crate Size: Indexer	36 x 60 x 45" (91 x 152 x 114 cm)		
	Speed Table 70 x 68 x 14" (178 x 173 x 36 cm)		
Overall Diameter	82" (208 cm)	96" (244 cm)	115" (292 cm)

Durable construction for years of continuous production use